



PRISM

PRISM CONTROL GEAR PVT. LTD.



**Thermoplastic & Metallic Cable Glands
Parallel Groove Conduits & Connectors
Industrial Plugs Sockets & Enclosures**

IP 68 CABLE GLANDS & ACCESSORIES



Thread Type	Thread Size	Thread Length in mm	Clamping Range in mm	Spanner Size in mm	Pack Size	Cut out Size in mm	Check out Wrench Size	Check out Thickness
PG	PG 7	8	2.5 - 6.5	15	100	12.5	19	5
PG	PG 9	8	3.5 - 8.0	19	100	15.0	22	5
PG	PG 11	8	4.0 - 10	22	100	18.5	24	5
PG	PG 11ex	20	4.0 - 10	22	25	18.5	24	5
PG	PG 13.5	9	6.0 - 12	24	100	20.5	27	6
PG	PG 16	10	9.0 - 14	27	50	22.5	30	6
PG	PG 21	11	13 - 18	33	50	28.5	36	7
PG	PG 29	11	16 - 25	42	25	37.0	46	7
PG	PG 36	13	24 - 32	53	5	46.5	60	8
PG	PG 42	13	30 - 38	60	5	54.5	65	8
* PG	PG 48	14	39 - 44	65	5	59.8	70	8
* PNP 3/8"	NPT 3/8"	15	3.5 - 8	19	100	17.4	24	5
PNP 1/2"	NPT 1/2"	15	6.0 - 12	24	50	21.5	27	6
* PNP 3/4"	NPT 3/4"	15	13 - 18	33	50	27.0	36	7
* PNP 1"	NPT 1"	15	19 - 25.4	42	25	33.7	46	7
P/C 3/4"	E/T 3/4"	9	6.0 - 12	24	50	20.0	27	6
PM 12	M 12 x 1.5	8	2.5 - 6.5	15	100	12.5	17	5
PM 16	M 16 x 1.5	8	3.5 - 8.0	22	100	16.5	22	5
PM 20	M 20 x 1.5	9	4.0 - 10	24	100	20.5	27	6
PM 20L	M 20 x 1.5	10	9.0 - 14	27	25	20.5	27	6
PM 25	M 25 x 1.5	10	13 - 18	32	25	25.5	34	6
PM 32	M 32 x 1.5	10	16 - 25	42	25	32.5	41	7
* PM 40	M 40 x 1.5	10	19 - 28	46	5	40.5	50	8
* PM 50	M 50 x 1.5	12	27 - 35	55	5	55.5	60	8
* PM 63	M 63 x 1.5	12	34 - 45	66	5	63.5	75	8

Technical Details:

Material : Polyamide - 6 

Colour * : RAL 7001 (Silver Grey)
RAL 9005 (Black)

Sealing Ring : Neoprene / Nitrile

O - Ring : Nitrile (Optional for lower range)

Temp. Range : -40°C to +90°C (Continuous)
+150°C (Short Term)

* Other colours on request

SPIRAL CABLE GLANDS



Thread Type Size	Thread Length	Thread Range in mm	Clamping Size in mm	Spanner Size in mm	Pack Size	Cut out Wrench in mm	Check out Thickness Size	Check out
SPG 7	PG 7	8	2.5 - 6.5	15	100	12.5	19	5
SPG 9	PG 9	8	3.5 - 8.0	19	100	15.0	22	5
SPG 11	PG 11	8	4.0 - 10	22	100	18.5	24	5
PG 11 ex	PG 11ex	20	4.0 - 10	22	25	18.5	24	5
SPG 13.5	PG 13.5	9	6.0 - 12	24	100	20.5	27	6
SPG 16	PG 16	10	9.0 - 14	27	50	22.5	30	6
* SPG 21	PG 21	11	13 - 18	33	50	28.5	36	7
PNP 1/2"	NPT 1/2"	15	6.0 - 12	24	25	21.5	27	6
P/C 3/4"	E/T 3/4"	9	6.0 - 12	24	25	20.0	27	6
SPM 12	M 12 x 1.5	8	2.5 - 6.5	15	25	12.5	17	5
SPM 16	M 16 x 1.5	8	3.5 - 8.0	22	25	16.5	22	5
SPM 20	M 20 x 1.5	9	4.0 - 10	24	25	20.5	27	6
SPM 20L	M 20 x 1.5	10	9.0 - 14	27	5	20.5	27	6
* SPM 25	M 25 x 1.5	10	13 - 18	32	25	25.5	34	6

Technical Details:

Material : Polyamide - 6 

Colour * : RAL 7001 (Silver Grey)
RAL 9005 (Black)

Sealing Ring : Neoprene / Nitrile

O - Ring : Nitrile (Optional for lower range)

Temp. Range : -40°C to +90°C (Continuous)
+150°C (Short Term)

* Other colours on request

The PRISM Spiral Cable glands with Spiral Guards offer additional security against conductor break and therefore reduces the risk of failure. Bending protection is a particular characteristic of cable protection and therefore an important safety feature for flexible cables on hand-held equipment, moving machine parts and in the many applications of the instrument industry.

* Under development

CABLE GLAND FOR MULTIPLE CABLE



Another part of the PRISM cable gland range is the multiple sealing insert which makes the PRISM gland a multiple gland. Instead of normal or reduction sealing inserts, a sealing with multiple holes are used. It allows several cables to lead through one gland simultaneously. In this way, it is no longer necessary to use a gland for each cable. You can just reduce the size of equipment / panel. It allows a more compact line of cables in one direction.

PRISM glands for flat cables, used in cranes, hoists, hi-mast and other applications. Cable Glands are available in PG & mm sizes.



PRISM cable gland with a reducing seal insert, to enable the sealing of cables with smaller outside diameter.

PRISM dust sealing plugs for all kind of installation of devices and machines where the cable connection is done later, we recommend our PRISM cable glands with dust protection plug. Which prevents dust from entering the housing



PRISM blanking plugs are used to cover holes or threaded holes, which can be used in future.

BRASS CABLE GLAND FOR FLEXIBLE CABLE



Technical Details:


Material (Body & Cap Nut) : Nickel - Plated Brass
Insert : Polyamide - 6
Sealing Ring : Neoprene / Nitrile
O - Ring : Nitrile

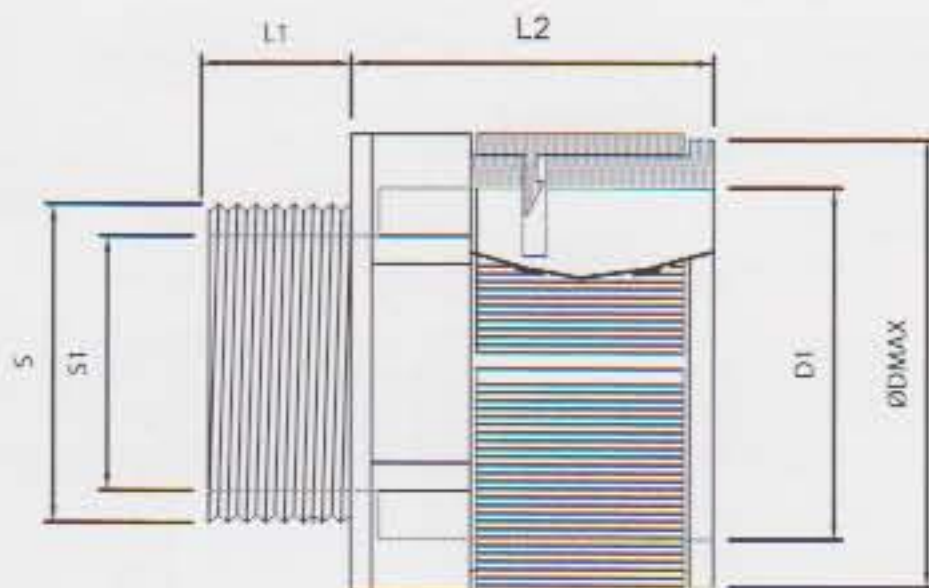
The metallic Cable Glands are liquid tight offering excellent strain relief, they also have plastic inserts for protection against distortion. They are used in machinery and equipment, in controlling and measuring devices and many other fields where exceptional stability and safe functioning are required.

Sr. No.	Type (PG/M)	Clamping Range (mm)	Entry Thread Length (mm)	Wrench Size (mm)	Max. Ass. Length (mm)
1	PG 7	02-6.5	7.5	14	26.50
2	PG 9	03-08	7.5	17	30.50
3	PG 11	04-10	7.5	20	31.50
4	PG 13.5	05-12	7.5	22	33.00
5	PG 16	08-14	9	24	34.00
6	PG 21	11-18	9	30	36.50
7	PG 29	16-25	10	40	44.00
8	PG 36	20-30	12	50	48.00
9	PG 42	28-38	15	57	54.00
10	PG 48	34-44	15	64	56.00
11	M 12	02-6.5	7.5	14	27.50
12	M 16	03-08	7.5	17	30.00
13	M 20	05-12	7.5	22	34.00
14	M 25	09-18	9	27	36.00
15	M 32	11-22	10	34	40.00
16	M 40	18-29	12	43	45.00
17	M 50	26-36	15	55	55.00
18	M 63	35-50	15	65	57.00
19	M 70	40-53	15	74	60.00
20	M 75	48-63	15	79	61.50
21	M 80	53-68	15	85	62.00
22	M 90	60-75	20	95	70.00

IP 67 CONNECTORS / CONDUIT GLANDS & ACCESSORIES

Technical Details:

Material	: Polyamide 6 (GF) 
Colour	: RAL 9005 (Black)
Temp. Range	: -40°C to +105°C (Continuous) +150°C (Short Term)
Protection Class	: IP67



CAT. No.	Dmax	D1	L1	L2	S	S1
CC16	25.00	16.80	13.00	27.00	16.00	11.00
CC20	30.00	20.80	13.00	29.00	20.00	15.00
CC25	35.00	25.80	13.00	31.00	25.00	20.00

FLEXIBLE PARALLEL GROOVE CONDUITS



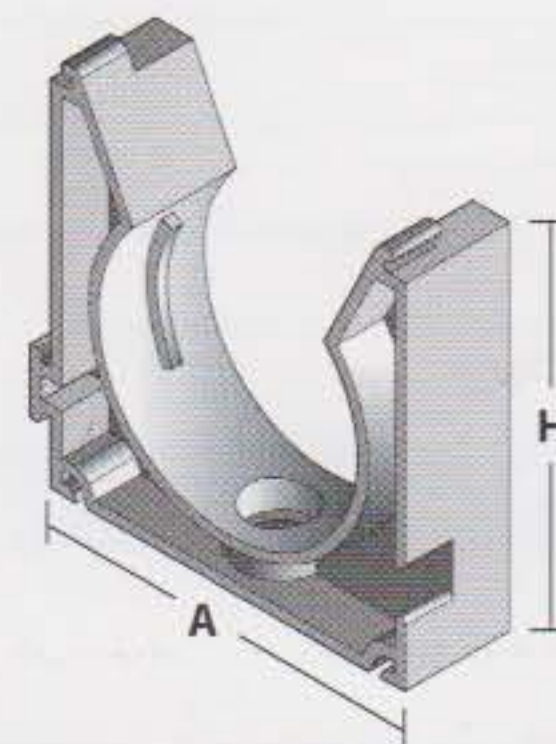
These Parallel Groove Conduits are flexible, have small bending radius and offer good impact resistance. They are suitable for various applications such as ship and train building, machine building, switch cabinet, movable machine parts etc.

CAT No.	Inner Diameter mm	Outer Diameter mm	Bending Radius in mm ± 10%
FC-16	12.5	16.0	30.0
FC-20	15.0	20.0	40.0
FC-25	20.0	25.0	45.0

MOUNTING CLIPS

Mounting Clips are used for holding Conduits. These clips are made of polyamide having High Impact Resistance.

CAT No.	A	H	Suitable for Conduit Size
PMC-16	21.0	25.0	16
PMC-20	28.0	30.0	20
PMC-25	34.0	34.0	25



Technical Details:

Material	: Polyamide 6
Colour	: RAL 9005 (Black)
Temp. Range	: -40°C to +90°C (Continuous) +150°C (Short Term)

PLUGS AND SOCKETS



Heavy Duty Metal Plugs & Sockets in Power & Control Circuits

Confirming to IEC 60309-1
Power : 30A (3 Pin / 4 Pin / 5 Pin)
Control : 12A (12 Pin)

Self Locking Design

Convenient key based discrimination system for different power supply voltages / frequency

Contact Features

- Silver Tipped Oxidation Free Contacts
- Spring Loaded Butt Type Design
- Self Aligning and Wiping Action

Interchangeability of Interiors

The interiors of Plugs & Sockets are interchangeable and retained by circlips. The configuration of contacts can be altered in 16 different positions for different system voltages which inturn avoids mating of plugs & sockets of different system voltages / frequencies.

Earthing

The earth contact is always in the central position thus eliminating the possibility of inadvertently connecting a live contact to earth.

Socket Cover

The socket is fitted with spring loaded gasketed cover making it suitable for outdoor use.

Self Locking Design

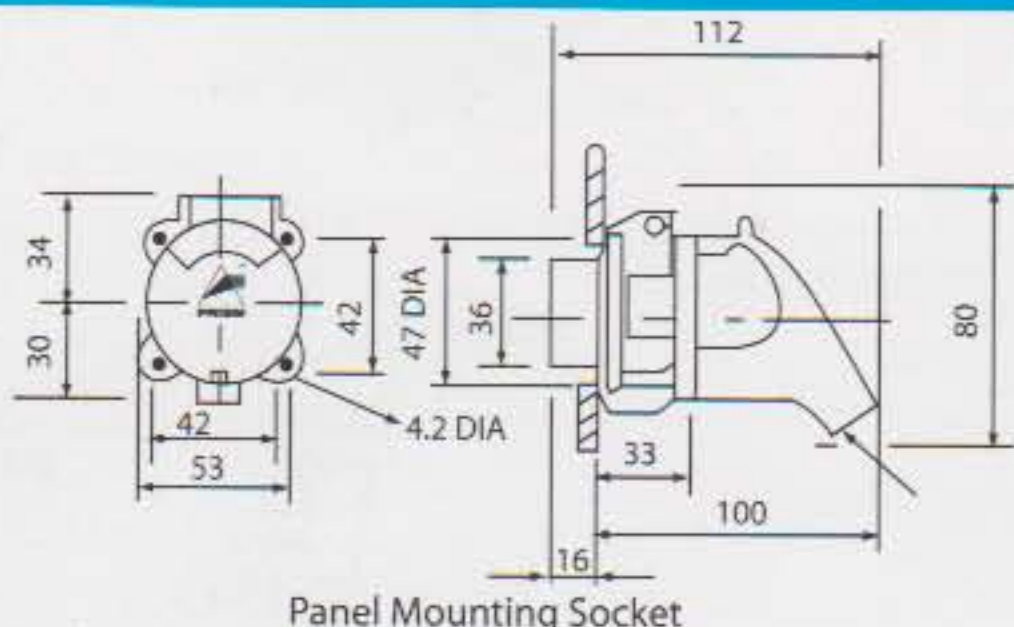
The plug cannot be pulled out of the socket by its cable or fall out on its own due to positive bayonet type fitting.

PARAMETER	PLUGS & SOCKETS FOR POWER CIRCUITS	PLUGS & SOCKETS FOR CONTROL CIRCUITS
Contact Options	2P + E 1P + E + N 3P + E 3P + E + N	Upto 12 Contacts
Rated Voltage	500V AC and DC	500V AC and DC
Thermal Current (Ith)	30A (Copper Cable) 20A (Alum. Cable)	12A (Copper Cable) 8A (Alum. Cable)
Contact Resistance	Less than 1 milliohm	Less than 1.5 milliohms
Contact Pressure	1.2 kg (min.) 1.35 kg (max.)	1 kg (min.) 1.15 kg (max.)
Conduit Entry	3/4" dia. (20 mm)	3/4" dia. (20 mm)
Terminal Capacity	6 sq. mm	1.5 sq. mm
Terminations	Spring Loaded	Solder Type

Position of Contacts

Contact Options	2P+E	1P+N+E	3P+E	3P+N+E
Position of Contacts				
Panel Mounting Socket	PR32S/2E	PR32S/3N	PR32S/4	PR32S/5
Plug with Inclined Handle	PR32P/2E	PR32P/3N	PR32P/4	PR32P/5
Plug with Straight Handle	PR32P/2EC	PR32P/3NC	PR32P/4C	PR32P/5C
Socket with Straight Handle	PR32S/2EC	PR32S/3NC	PR32S/4C	PR32S/5C

Power Circuit Applications



Control Circuit Applications

